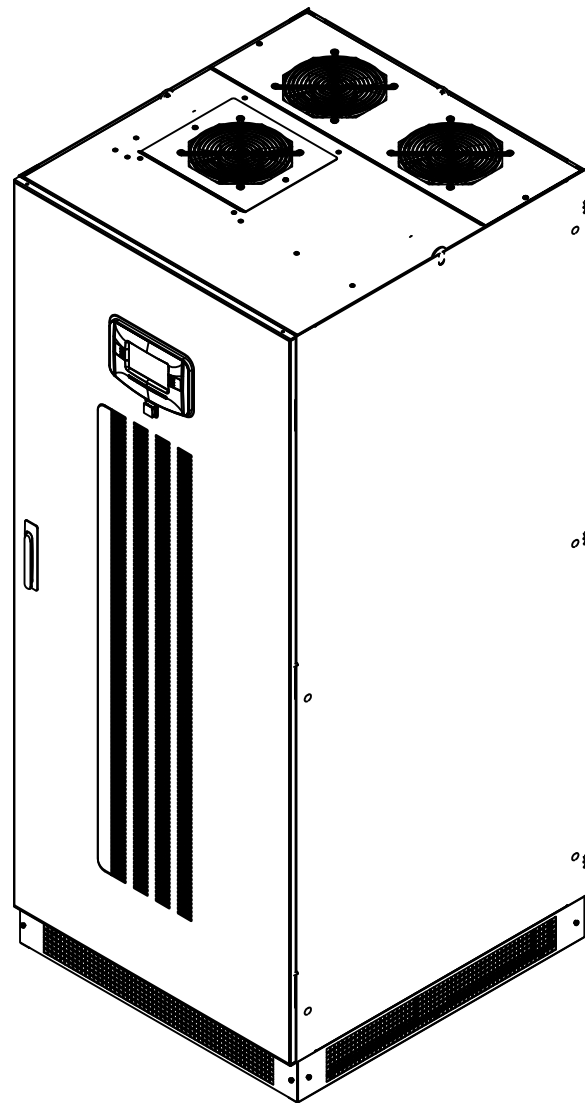


INSTALLATION INSTRUCTIONS
 Read "User Manual" before starting with installation

General characteristics for environmental consideration					
MASTER HP-UL Series		MHT 65	MHT 80	MHT 100	MHT 125
Rated Power	kVA/ kW	65/58.5	80/72	100/90	125/112.5
Power loss (kW) 50%load/100%load	kW	2.0/4.4	2.5/5.4	3.1/6.8	3.9/8.5
Air flow	m³/h	3000			
Max ambient temperature	°C/°F	40/104			
Altitude without derating	m/feet	1000/3300			
Relative Umidity		≤ 95% non condensing			
Dimensions and weight					
UPS weight	kg / lb	680 / 1500	730 / 1610	790 / 1742	
Dimensions WxDxH	mm / in	800x850x1900 / 31.5x33.46x74.8			
Footprint area	m² / ft²	0.85 / 9.146			
Opening for Cable Entry					
TOP		NA			
BOTTOM	m² / ft²	0.089 / 0.96			



POWER CONNECTIONS

WARNING

The UPS is provided with Bond that connects the Neutral Output to the frame Ground for delta input connection. This is required to meet NEC grounding code for separately derived neutrals.
 When a Neutral is provided in a Wye configured input connection, the bond should be removed, in accordance with Local code requirements.
 Refer to NEC article 250(Grounding and Bonding) for identify system of grounding and size of Equipment grounding conductor

Branch OCP devices must be provided as parts of plant.

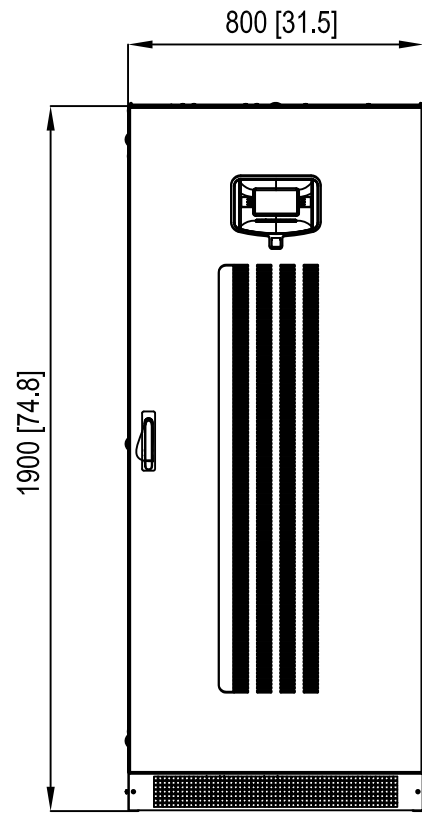
Use at least 75°C rated copper wires. The size of cables are reported from NEC Table 310.16. Could be required a larger awg size than shown in these tables, because of temperature, number of conductors in conduit or long service runs.

MASTER HP UL size(kVA)	65	80	100	125
INPUT AC LINE - SINGLE LINE				
Input Line 3Ph + N + PE 277/480V 60Hz				
Branch-OCP device size (A)	125	150	175	200
Phase and neutral cond. size (kcmil/Awg)	1 Awg	2/0 Awg	3/0 Awg	250 kcmil
INPUT AC LINE - DUAL SEPARATE LINE (Remove the busbars connecting Input Mains line and Bypass Line See details on picture)				
Input Mains 3Ph + PE 480V 60Hz				
Branch-OCP device size (A)	125	150	175	200
Phase and neutral cond. size (kcmil/Awg)	1 Awg	2/0 Awg	3/0 Awg	250 kcmil
Input Bypass Line 3Ph + N + PE 277/480V 60Hz				
Branch-OCP device size (A)	100	125	150	200
Phase and neutral cond. size (kcmil/Awg)	2 Awg	1/0 Awg	2/0 Awg	4/0 or 250kcmil
Output 3Ph + N 277/480V 60Hz				
Branch-OCP device size (A)	100	125	150	200
Phase and neutral cond. size (kcmil/Awg)	2 Awg	1/0 Awg	2/0 Awg	4/0 or 250kcmil
Battery DC Input				
Branch-OCP device size (A)	160	200	250	300
Phase and neutral cond. size (kcmil/Awg)	3/0 Awg	4/0 Awg	300kcmil	400kcmil
*If "Riello BBX 1900 480V UL L8 3U" battery cabinets are provided, the OCP device is included in the cabinet. For other applications read "User Manual" Battery connections.				
Ground terminal of Battery Cabinet must to connected to Ground terminal of UPS Cabinet.				

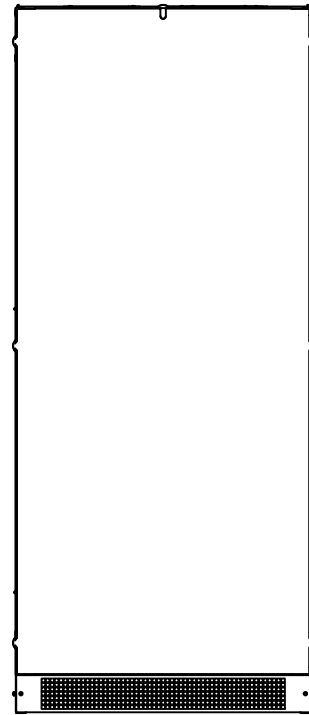
RPS	EDIT: F.Mastropasqua	APPR: B.Boldrini	DATA: 28 / 05 / 20	DRAW. No	REV.
	VARIATION: ADDED MANUAL			0MLMHTK65RUENIC	02
	REPLACE: 0MLMHTK65RUENIC_REV	Scale: 1:20	Peso/Weight 560.63 Kg	PAG. 1	DI 5
NOTE:	TITLE: MAN MHT UL 65-125 DRW EN				
...	...				

INSTALLATION INSTRUCTIONS

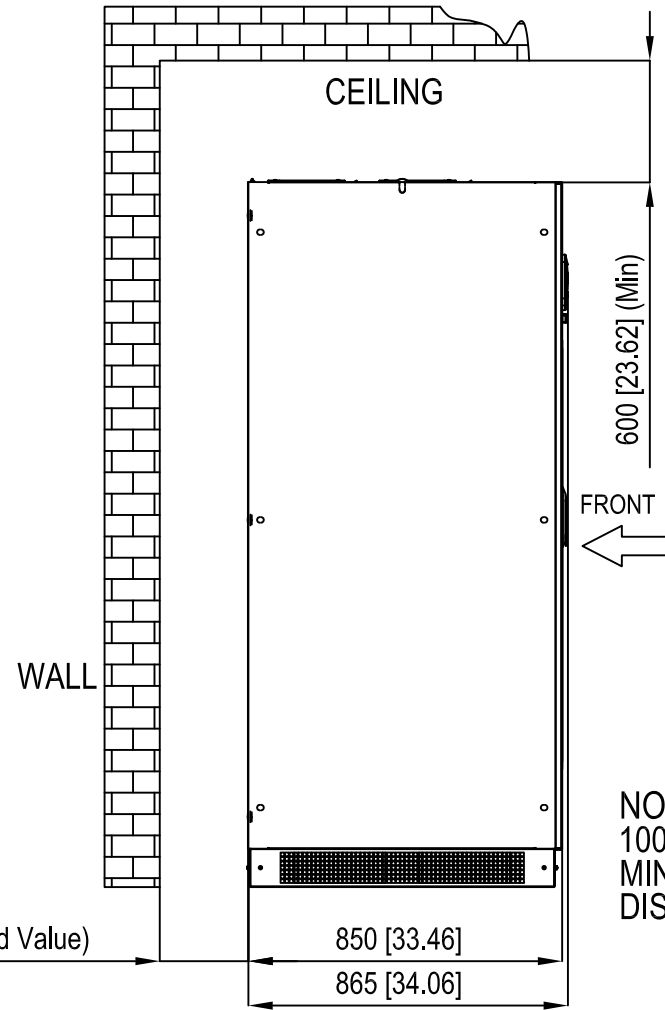
FRONT VIEW



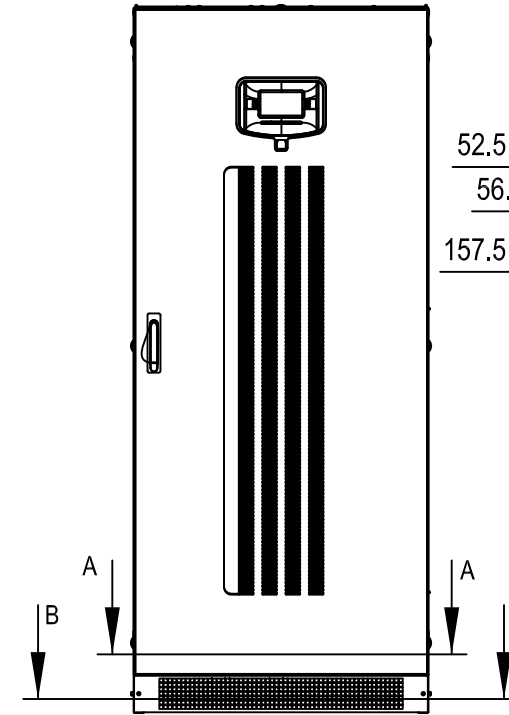
REAR VIEW



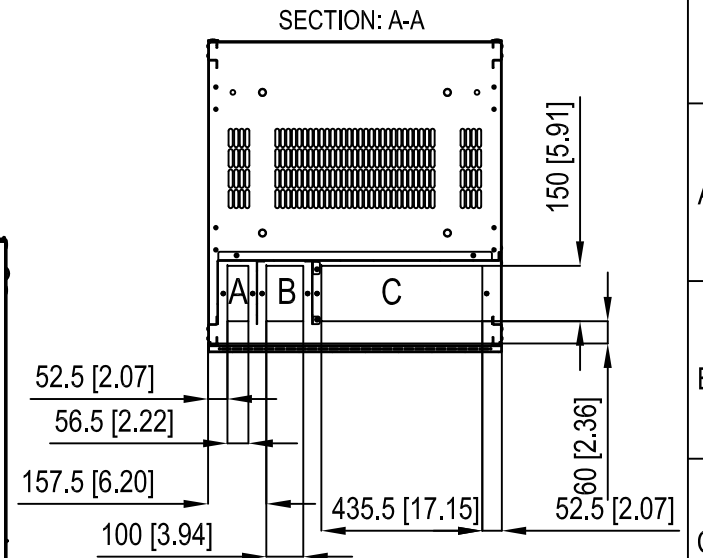
SIDE VIEW



FRONT VIEW

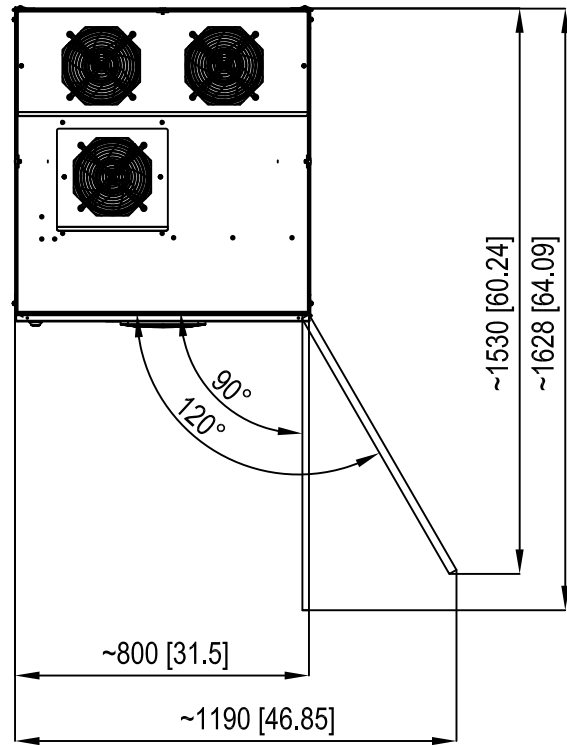


BOTTOM VIEW



FRONT
W/O DOOR AND PANNEL
Opening for Cable entry:
A= SIGNAL CABLES
B= BATTERY CABLES
C= INPUT-OUTPUT CABLES

TOP VIEW

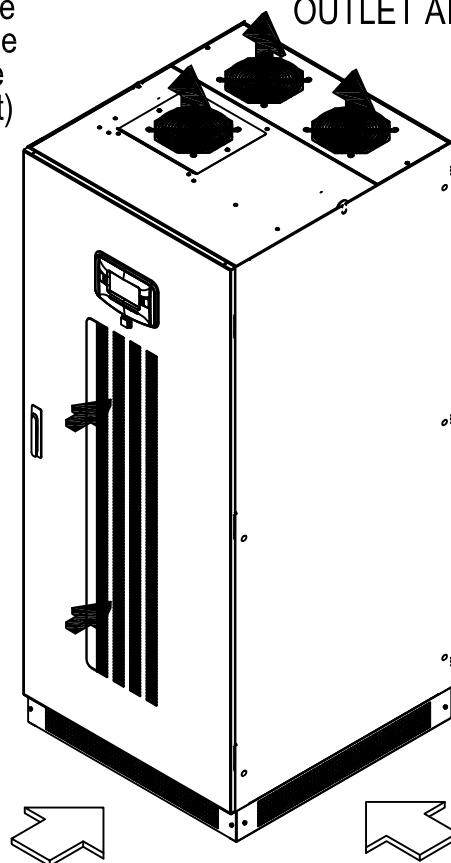


NOTE:
Do not mount side kickplate
when there are cabinet side
by side. Leave at least one
of the three (right, rear, left)
of cabinet free

OUTLET AIR

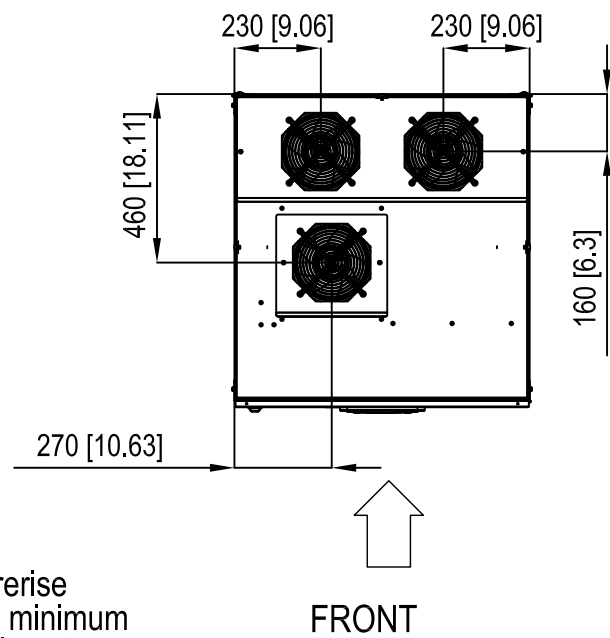
AIR FLOW

INLET AIR

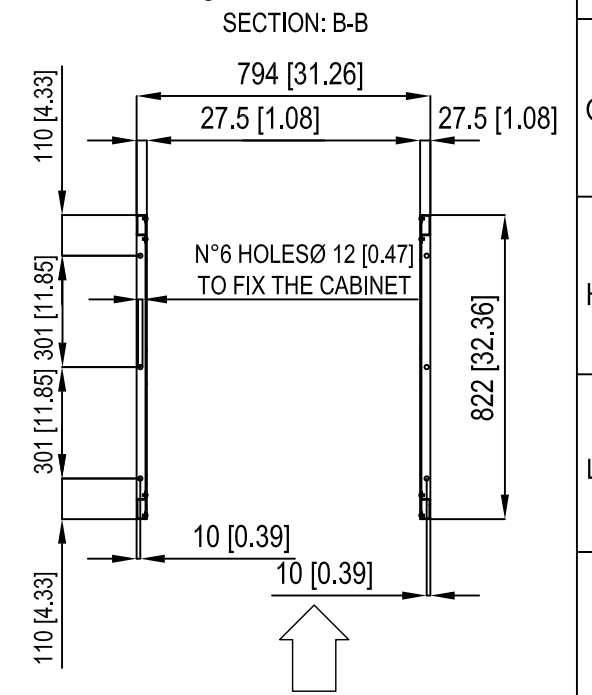


NOTE:
High temperaturerise
may occur if the minimum
value indicated is not
maintained above the UPS

TOP VIEW
Fans Position



BOTTOM VIEW
W/O DOOR AND PANNEL
Bearing surface of cabinet



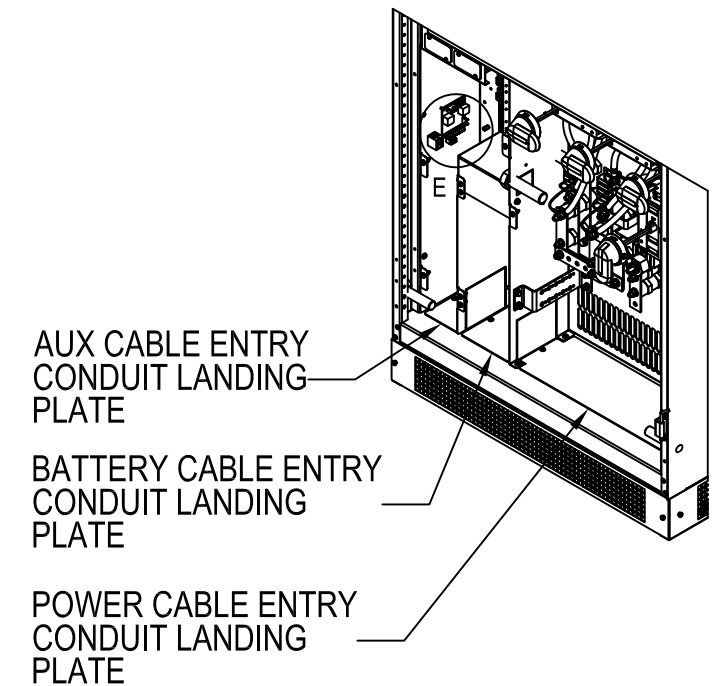
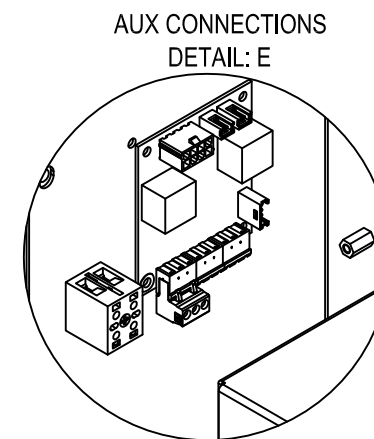
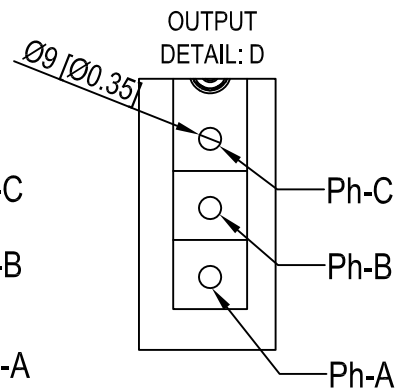
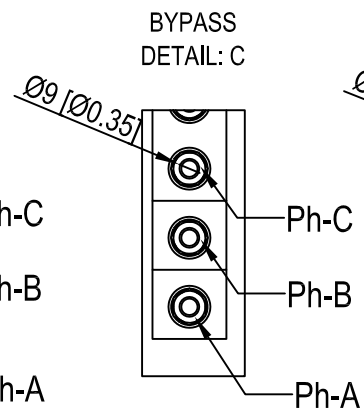
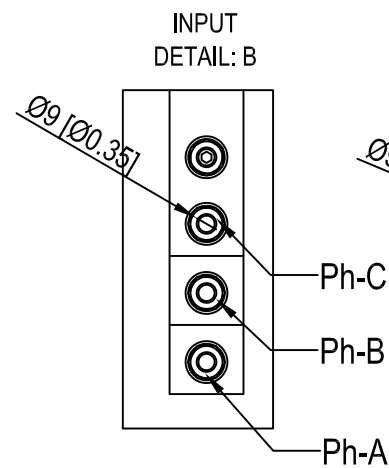
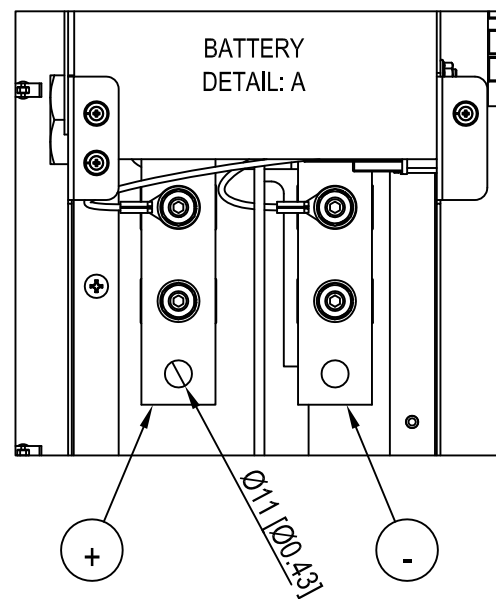
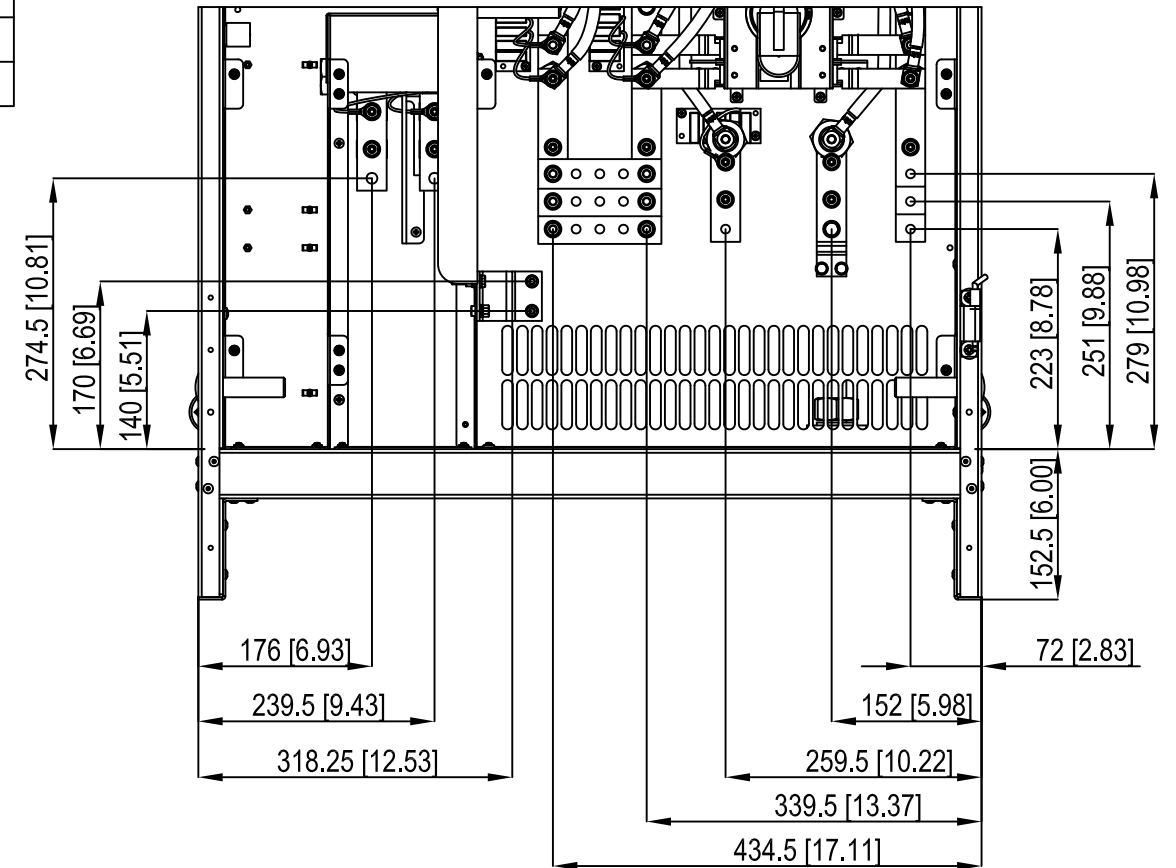
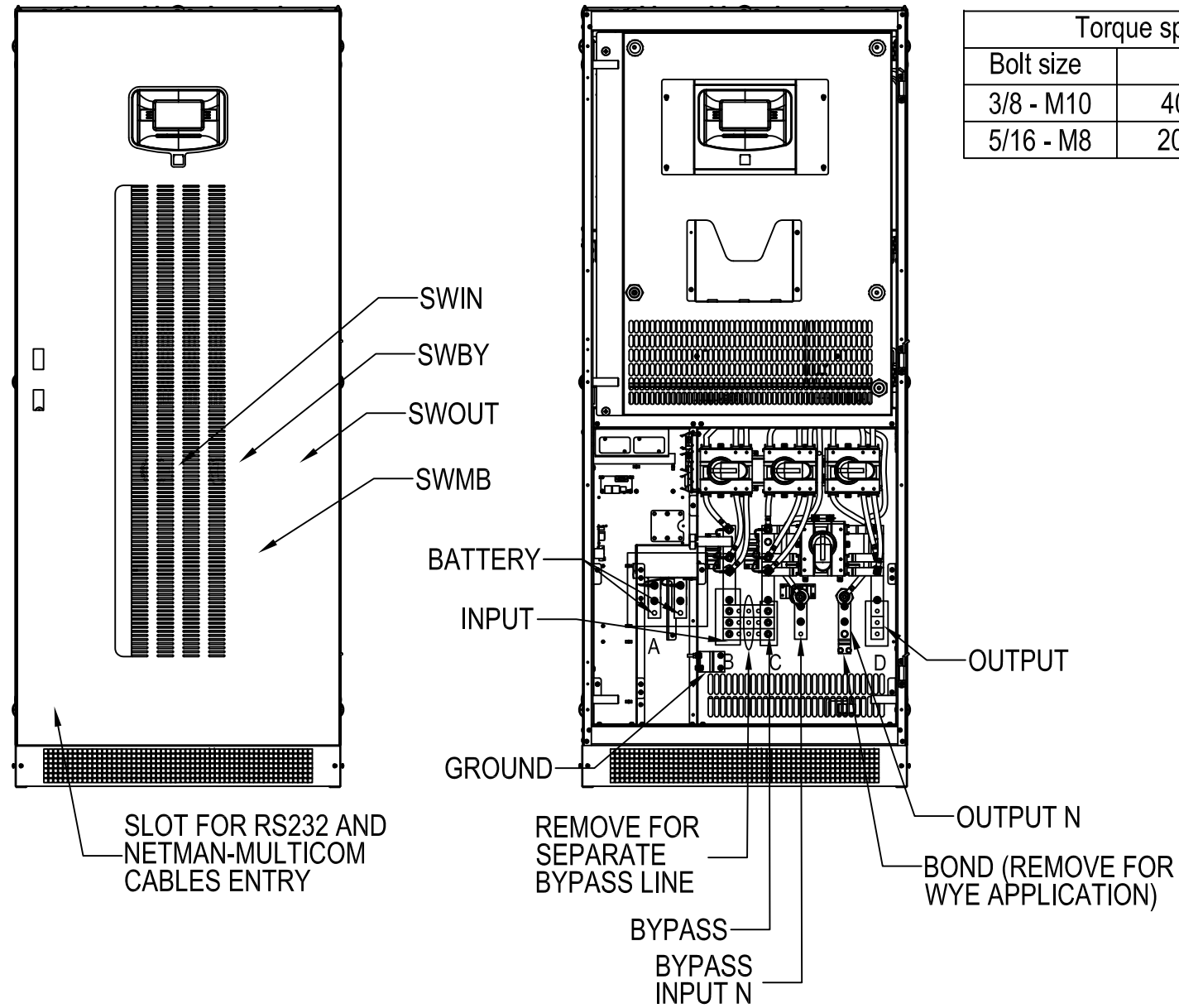
FRONT

RPS

DRAW. No		REV.
OMLMHTK65RUENIC		02
PAG. 2	DI	5

MASTER HP- UL - Series 65 and 80kVA

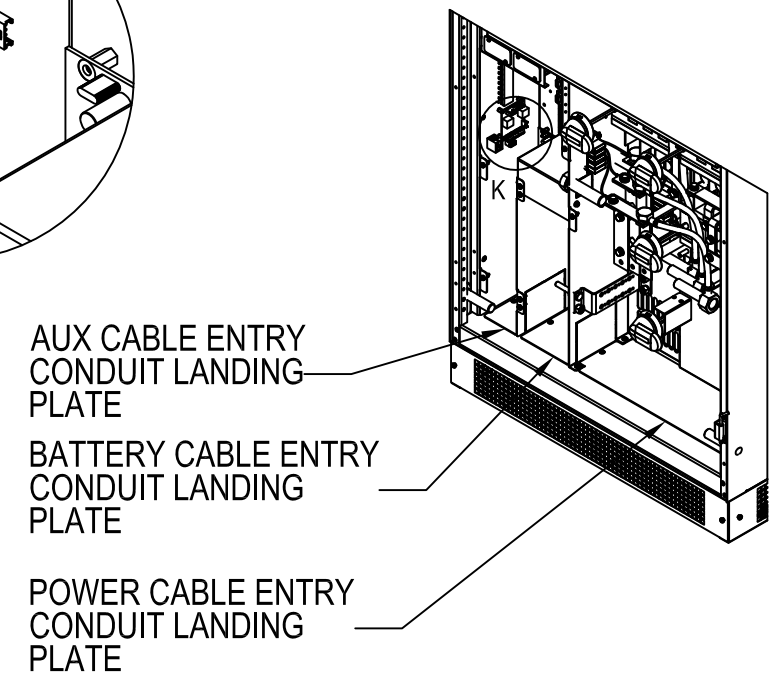
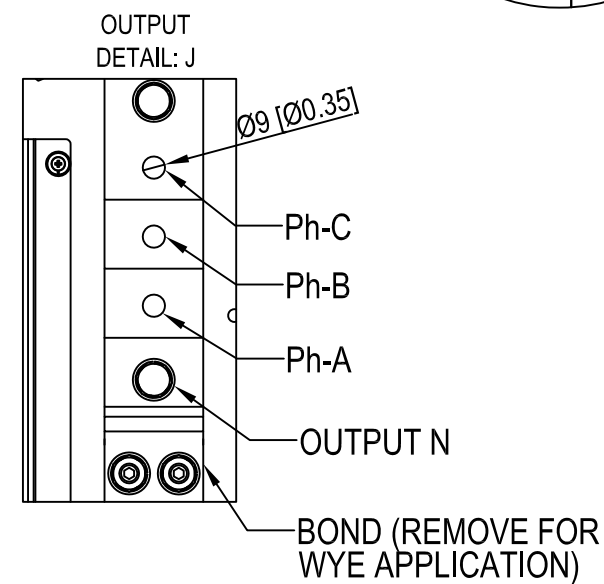
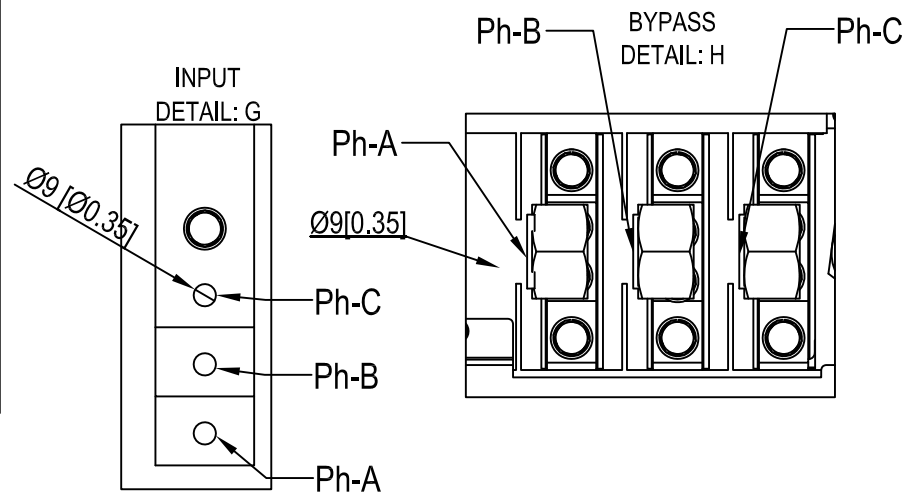
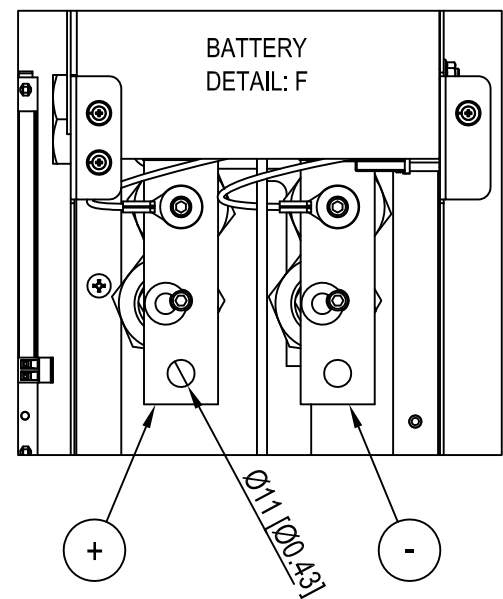
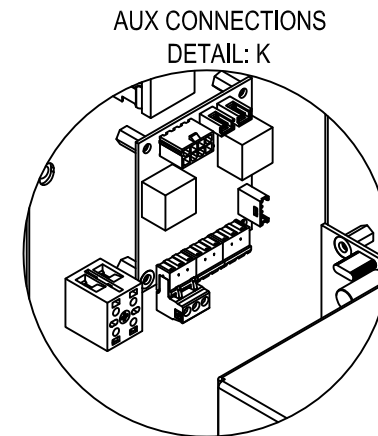
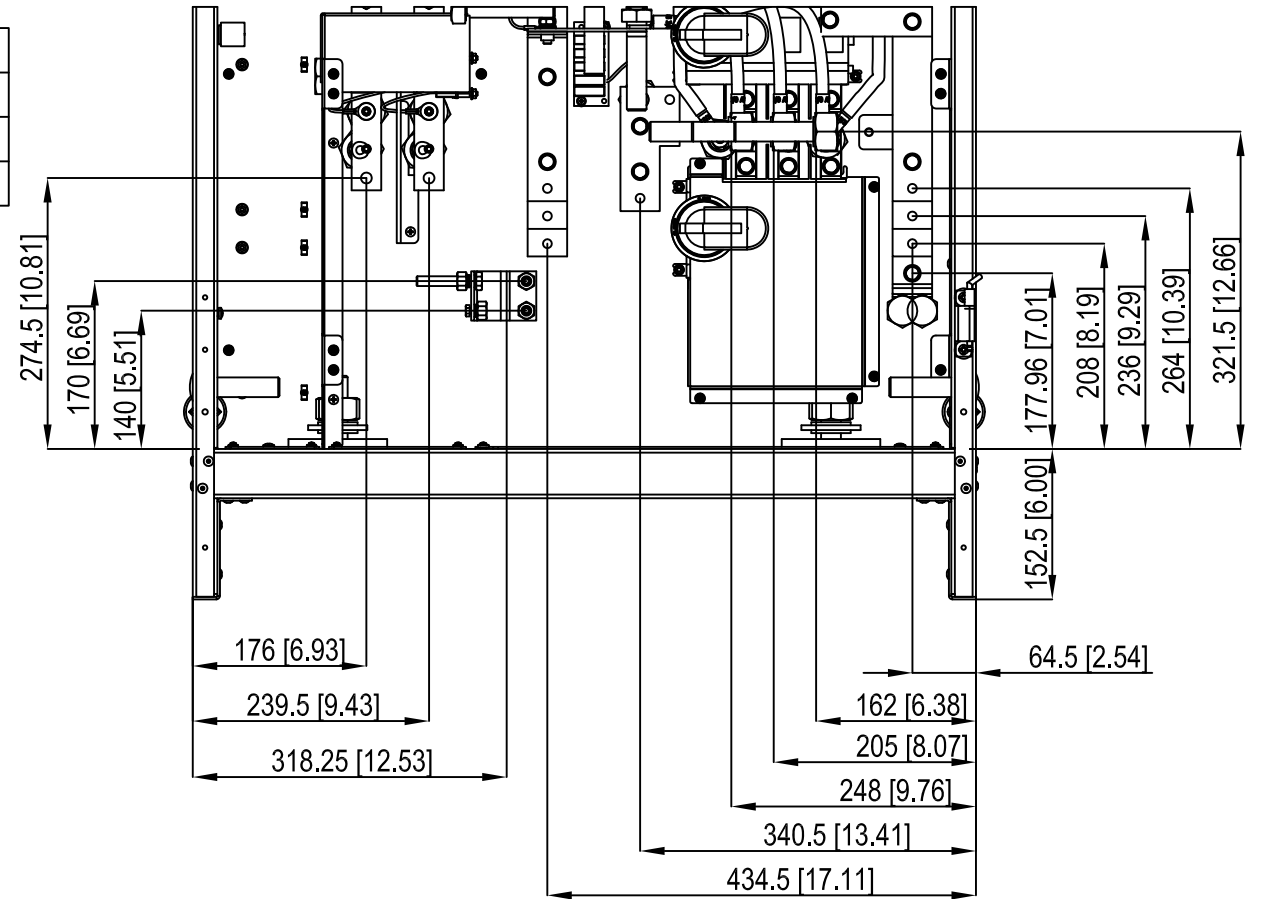
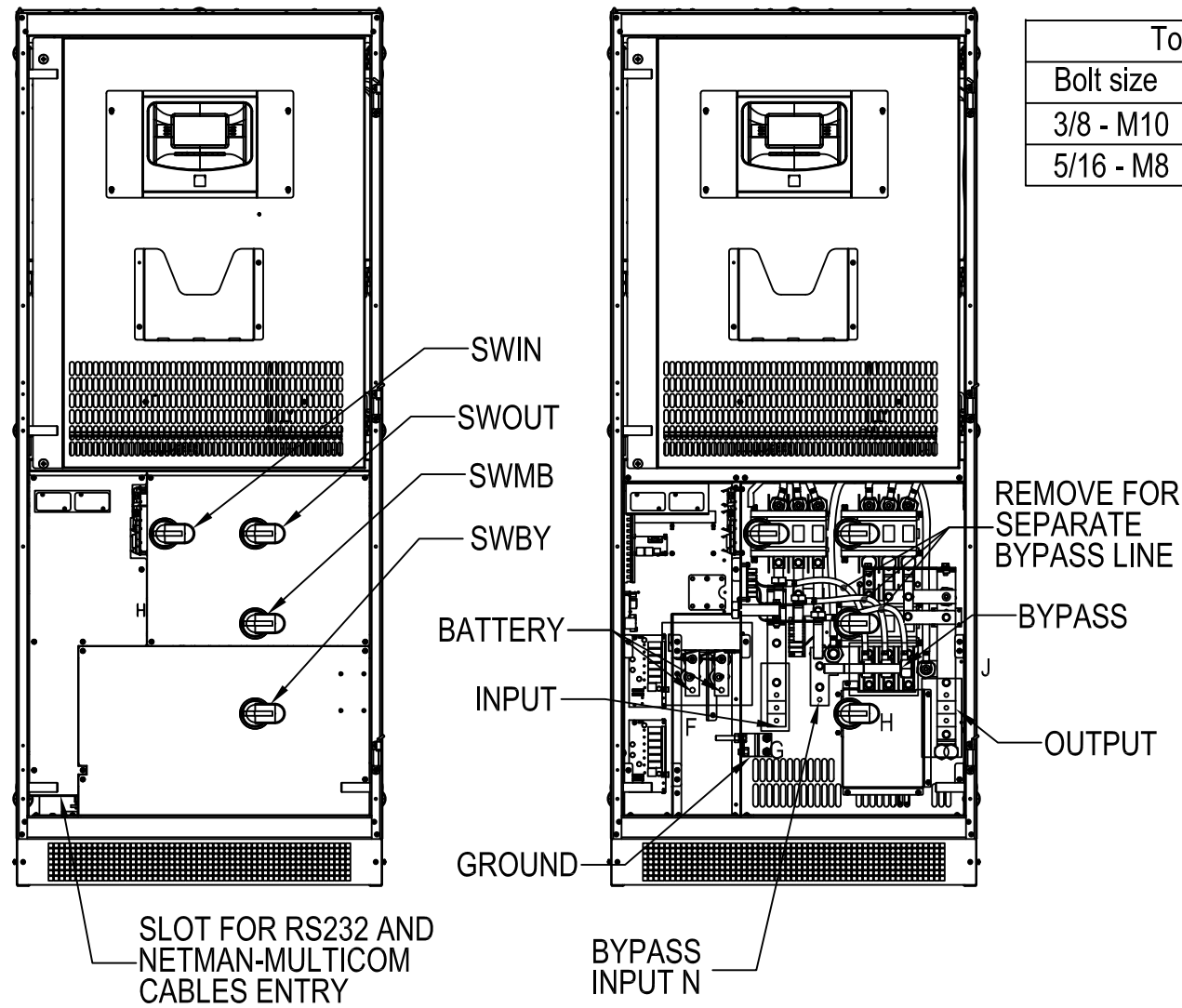
Torque specification		
Bolt size	Torque Load	
3/8 - M10	40Nm	29,5lbf-ft
5/16 - M8	20 Nm	14,75 lbf-ft



RPS	DRAW. No	REV.
	OMLMHTK65RUENIC	02
	PAG. 3 DI 5	

MASTER HP- UL - Series 100 and 125kVA

Torque specification		
Bolt size	Torque Load	
3/8 - M10	40Nm	29,5lbf-ft
5/16 - M8	20 Nm	14,75 lbf-ft



RPS	DRAW. No	REV.
	OMLMHTK65RUENIC	02
	PAG. 4 DI 5	

THE MASTER HP-UL UPS IS OSHPD SPECIAL SEISMIC CERTIFICATION APPROVED AND IS IBC COMPLIANT (IBC 2006, 2009, 2012 AND 2015)

MASTER HP- UL - Series W/O TCE -Seismic Version

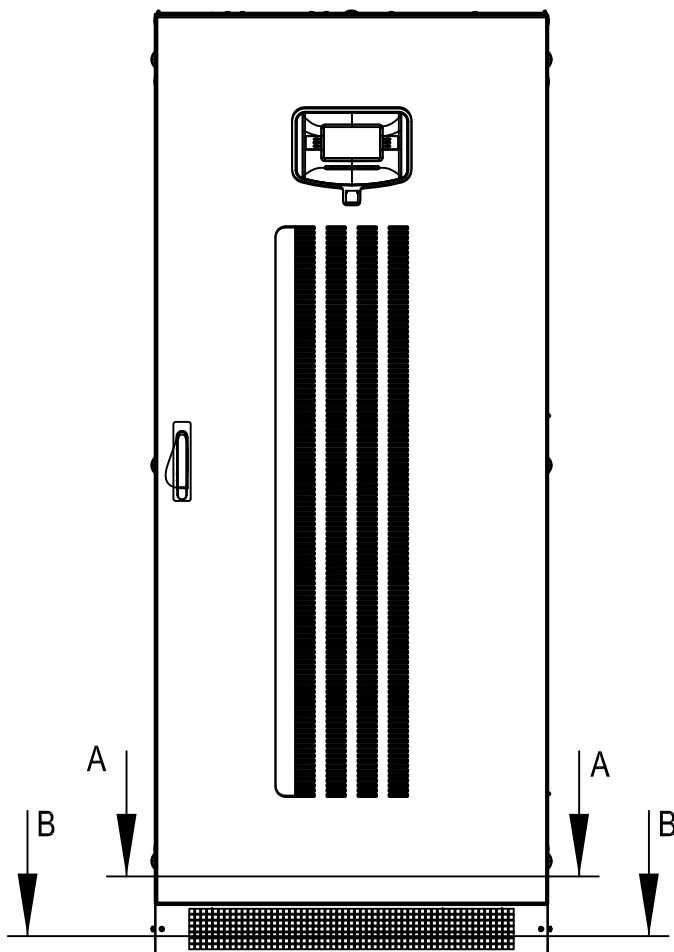
SEISMIC CRITERIA:

$$S_{Ds} (g) = 2.00 \ z/h = 1.0 \ I_p = 1.5 \ (\text{ROOF LEVEL OR BELOW})$$

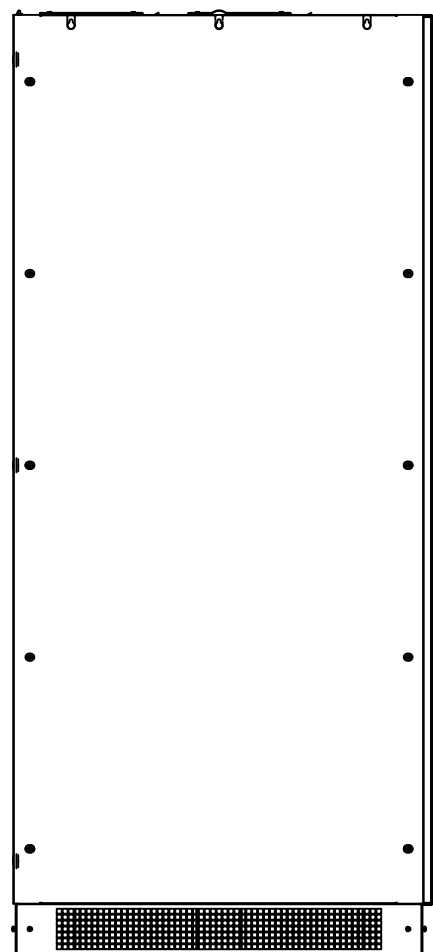
$$S_{Ds} (g) = 2.50 \ z/h = 0.0 \ I_p = 1.5 \ (\text{GROUND LEVEL OR BELOW})$$

BOTTOM VIEW
W/O DOOR AND PANNEL
Bearing surface of cabinet
Seismic Version
SECTION: B-B

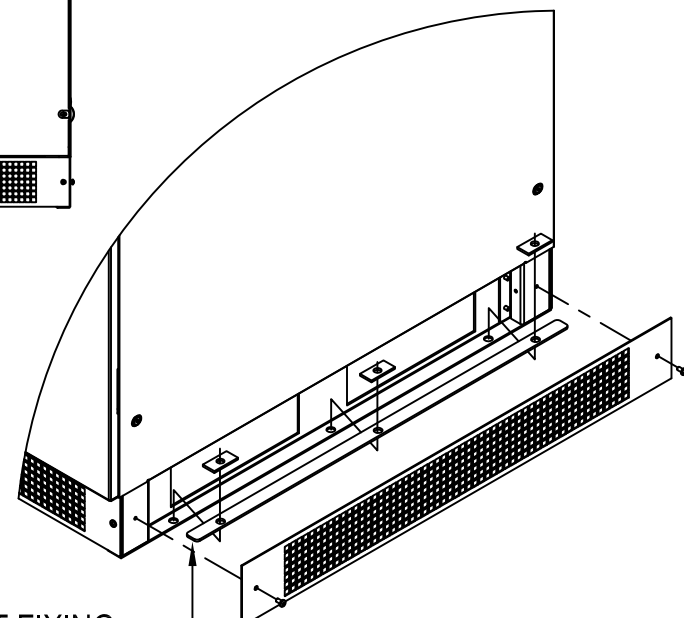
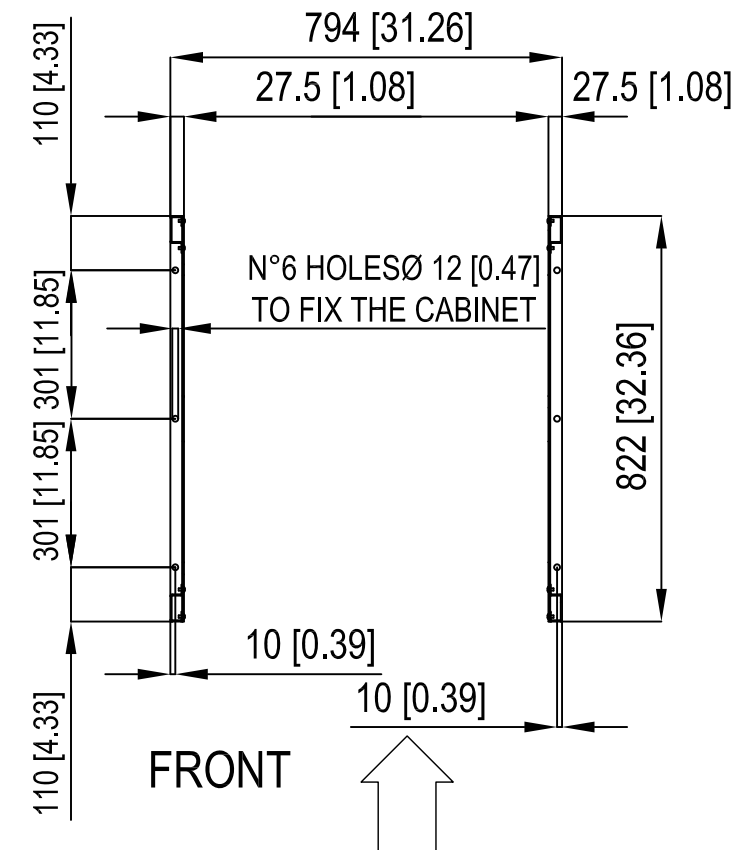
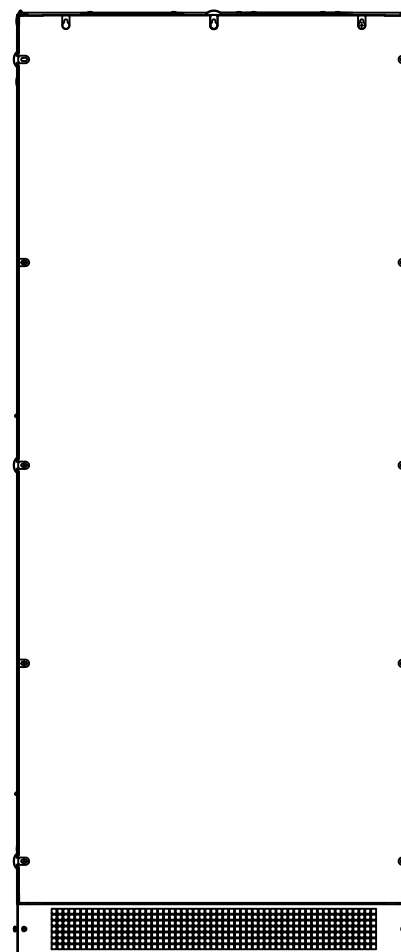
FRONT VIEW



LEFT SIDE VIEW



REAR VIEW



INSERT FLAT FIXING SUPPORT ON BOTH SIDES

NOTE:
UNIT IS MOUNTED WITH 3 / 8 " (M10)
GRADE 8 BOLTS

RPS	DRAW. No	REV.
	OMLMHTK65RUENIC	02
	PAG. 5	DI 5